

6

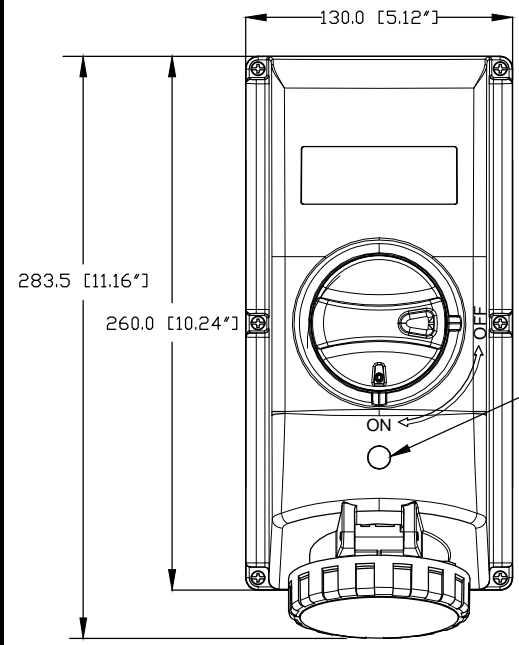
5

4

3

2

1



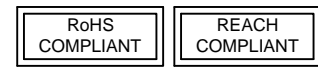
POWER STATUS LED



ELECTRICAL SPECIFICATIONS:
 Rated current: 30A
 Max. working voltage: 600VAC RMS
 Dielectric withstanding voltage: 1200VAC min.
 Current interrupting: Certified for current interrupting at full rated current and voltage
 Short circuit withstand rating: Suitable for use on a circuit capable of delivering not more than 10,000 RMS symmetrical amperes at the voltage rating of the receptacle when protected by class "J" (fast acting) fuses with the same rating of the receptacle and 5,000 RMS symmetrical amperes at the voltage rating of the receptacle when protected by class "RK5" time-delayed fuses with the same rating of the receptacle
 Electrical endurance: 6,000 cycles
 Suitable as motor disconnect

MECHANICAL SPECIFICATIONS:
 Impact resistance: In accordance with UL 746C (vertical drop test: energy 6.8J at -40°C)
 Mechanical endurance: 10,000 cycles

ENVIRONMENTAL SPECIFICATIONS:
 Minimum continuous operating temperature: -40°C (maintains impact resistance at -40°C)
 Maximum continuous operating temperature: +60°C
 Nema ratings: Type 3R, 4X, 12K
 Ingress protection: IP66, IP67, IP69 according to IEC60529
 UV resistance: All exposed plastic materials are UV stabilized
 Living Building Challenge Red List v3.0 compliant



STANDARDS & CERTIFICATIONS:
 UL Standards: ANSI/UL 60947-1 / 60947-4-1, UL1682, UL1686, UL50, UL746C
 CSA Standards: CAN/CSA-C22.2 No. 60947-1 and No. 60947-4-1
 IEC Standards: IEC 60947-1 / 60947-4-1, IEC60309-1; IEC 60309-2



MATERIALS & PLATING:
 Housing: Glass reinforced polyester, thermosetting material
 UL-94-V0 rated, color Gray
 Gasket: SEBS rubber, 30 Shore A
 Handle: Polycarbonate-Siloxane copolymer -UV stabilized
 Housing closing screws: Stainless steel AISI 316
 Receptacle: Impact modified, flame retarded PBT+PC blend (Valox 357X)
 UL94-5VA and UL-94V-0 classification
 Receptacle cover hinge spring: Stainless steel AISI 302
 Receptacle contacts: Brass
 Receptacle terminal screws: Steel, Nickel plated
 Support base: Fiberglass reinforced PA66, UL94V-0 rated
 Locking mechanism: Fiberglass reinforced PA66, UL94V-0 rated
 LED lens: Polycarbonate, UV stabilized
 Grounding plate: Steel, Zinc plated
 Internal wiring: 10AWG THHN, 600V, 90°C

Configuration	Cat. Nos.	Clock hour position	Amps	Rating	Horse power HP (kW)	Pin & sleeve plug Cat. No.
2 Poles 3 wires	SCM330MI4W-NB	4	30	125	3 (2.25)	330P4W
	SCM330MI6W-NB	6		250	5 (3.75)	330P6W
	SCM330MI7W-NB	7		480	15 (11,25)	330P7W
3P 4W	SCM430MI12W-NB	12	32A	120/250	3/5 (2.25/3.75)	430P12W
	SCM432MI3W-NB	3		3Ø 380V 50Hz	10 (7.5)	432P6W
			3Ø 440V 60Hz	15 (11.25)		
	SCM430MI9W-NB	9	30A	3Ø250	10 (7.5)	430P9W
	SCM430MI7W-NB	7		3Ø480	20 (15)	430P7W
	SCM430MI5W-NB	5		3Ø600	30 (22.5)	430P5W
4P 5W	SCM530MI9W-NB	9	30A	3ØY120/208	7.5 (5.60)	530P9W
	SCM530MI7W-NB	7		3ØY277/480	20 (15)	530P7W
	SCM530MI5W-NB	5		3ØY347/600	30 (22.5)	530P5W

TOLERANCE
 UNLESS OTHERWISE SPECIFIED
 X ± 1
 X.X ± 0.4
 X.XX ± 0.20

Power Dynamics, Inc.
 Phone: 973 560-0019 Whippany, New Jersey Fax: 973 560-0076

PART:30 AMP UNFUSED SWITCHED PIN & SLEEVE MECHANICAL INTERLOCK WITHOUT BASE

DRAWN BY: PB DATE: 4/25/16
 CHECK BY: DATE:
 APPR BY: DATE:

SCMX30MIXW-NB SHEET 1 of 1
 PART #: A
 SIZE: A ALL DIMENSIONS FOR REFERENCE ONLY DIMENSIONS ARE IN MILLIMETERS
 SCALE: NTS REV: A

RESISTANCE TO CHEMICAL AND ATMOSPHERIC AGENTS

Saline solution	Acids		Bases		Solvents				Mineral oil	UV rays
	Concentrated	Diluted	Concentrated	Diluted	Hexane	Benzol	Acetone	Alcohol		
Resistant	Limited Resistance	Resistant	Limited Resistance	Resistant	Resistant	Resistant	Resistant	Resistant	Resistant	Resistant

CONTACT PDI FOR SPECIFIC SUBSTANCES

REVISIONS

REV	DATE	CHANGE	CHKG	CHKD	APPR
A	6/8/16	UPDATE STANDARDS	PB		

6

5

4

3

2

1